

**GOOD QUALITY
FROM HENGCHUANG**



HENG CHUANG
GEAR BOX
Introduction Manual

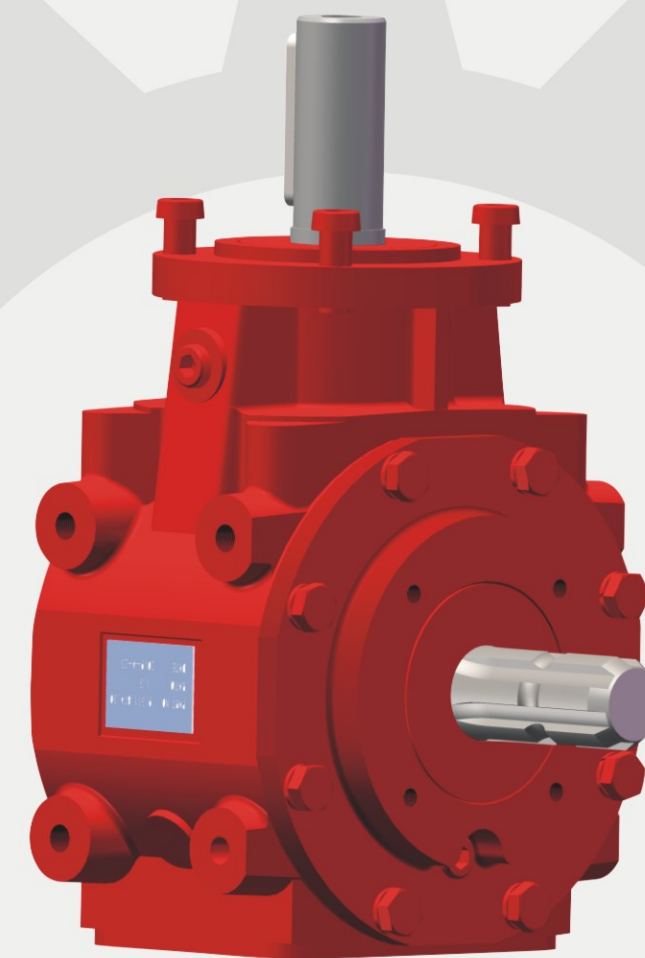


**TAIZHOU HENGCHUANG
TRANSMISSION MACHINERY CO.,LTD.**

Add:79 three areas,Gengliwang Village, Fengjiang Street,Luqiao,Taizhou

Tel:131 3655 8986 Fax:+86-576-82678911

www.tzhccd.com E-mail:yszz.gearbox@vip.163.com



Zhejiang **HENGCHUANG** TRANSMISSION

Zhejiang Taizhou Hengchuang Transmission Machinery Co., Ltd., was founded in 2006. This company, situated in the Economic Development Zone of Luqiao, Taizhou City, has 90 employees, occupies a land of 3,800m², and produces an annual output worth of RMB 40 million. This company is devoted to R&D and manufacturing as well as personnel training on various gear boxes, reducers, and engineering machinery, including: spiral bevel gear box, straight gear box, worm gear box, and cylindrical gear box. Its line of products also includes a variety of high-pressure valve bodies and cast housings. Its products are used in a variety of applications, like farm mower, snow sweeper, fertilizer applicator, grain conveyor, industrial equipment, petroleum mining machinery, ship industry equipment, and engineering hydraulic components, with more than 95% of the products being exported to Europe, the United States, Australia, Asia, and Canada, etc.

The company has strong technical and R&D capabilities, produces reliable and quality products, practices an extinguished operation philosophy, and enjoys a high reputation in the manufacturing community. Welcome to contact us by phone or mail.



19 years
transmission
machinery



Technology changes life

Develop a solution, we provide a detailed solution to determine if the product is Can meet your needs, the excellent talents are vigorous guarantees for contemporary enterprise to remain invincible. As an elevator enterprise which is cored by technology, HENGCHUANG regards the gifted people as the most precious fortune of the company. We strongly believe that power full talent team is main thrust to push forward HENGCHUANG to a bright future!

Industry unique fool operation

Develop a solution, we provide a detailed solution to determine if the product is can meet your needs, the excellent talents are vigorous guarantees for contemporary enterprise to remain invincible. As an elevator enterprise which is cored by technology, HENGCHUANG regards the gifted people as the most precious fortune of the company. We strongly believe that power full talent team is main thrust to push forward HENGCHUANG to a bright future!



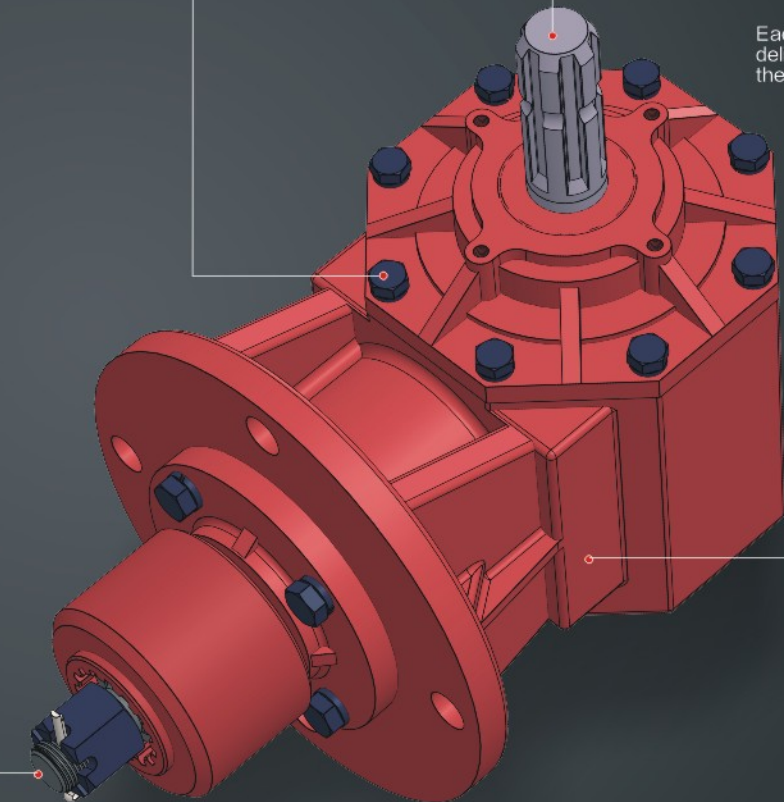
AGRICULTURAL MACHINERY **GEARBOX**

The gearbox has low noise and stable operation. It is made of nodular cast iron with strong toughness and long service life.

Gears and shafts are quenched and have high surface hardness.

Each gearbox can be delivered after passing the inspection.

Use high-quality oil seals and bearings

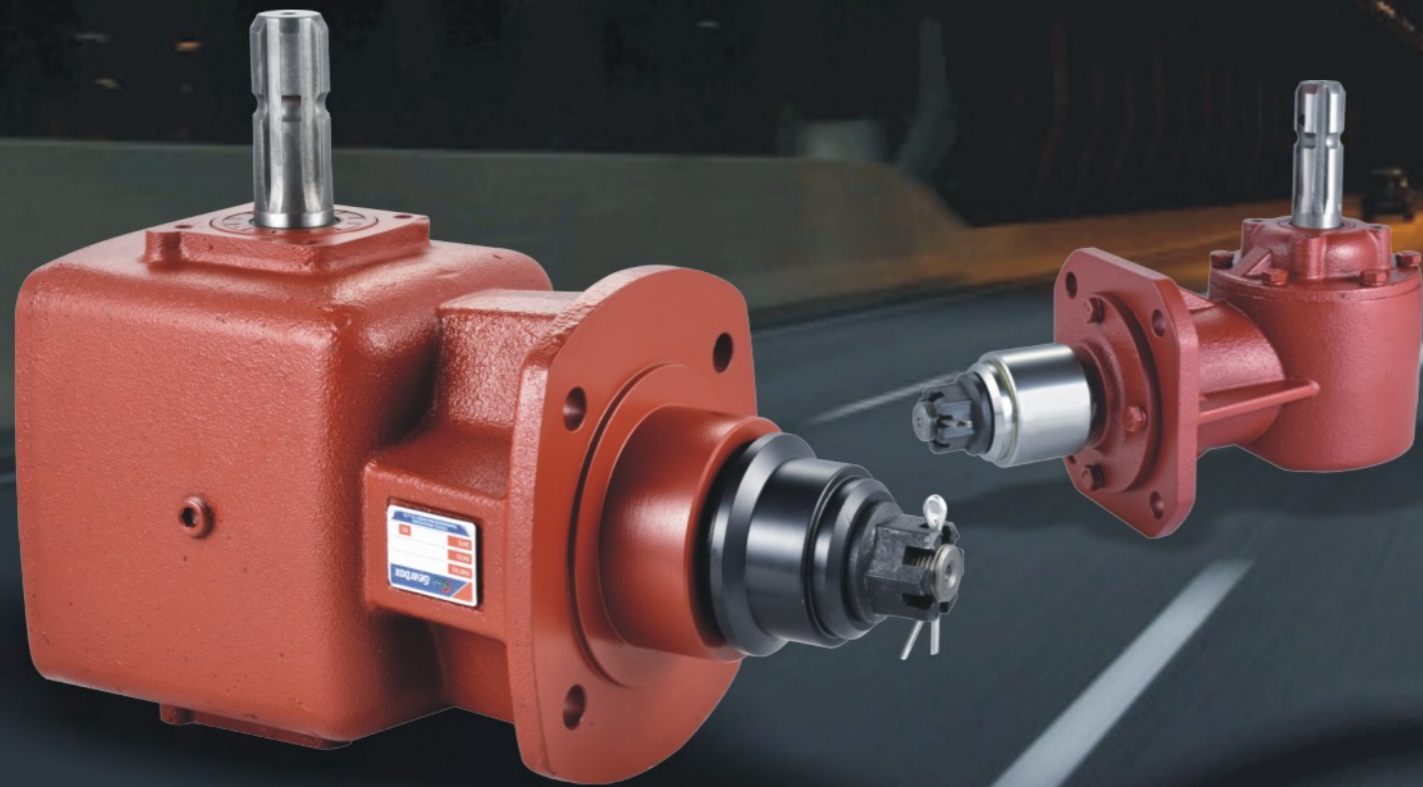


APPLICATION

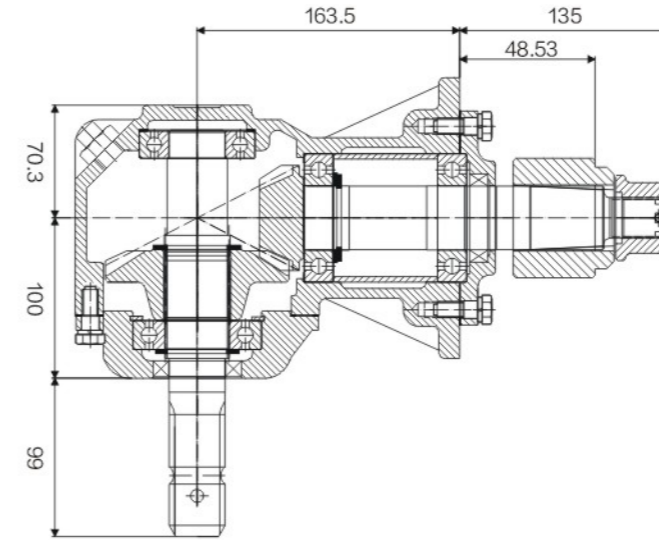
Its products are used in a variety of applications, like farm mower, snow sweeper, fertilizer applicator, grain conveyor, industrial equipment, petroleum mining machinery, ship industry equipment, and engineering hydraulic components,

GEARBOX

Lawn mower series



Good quality from hengchuang

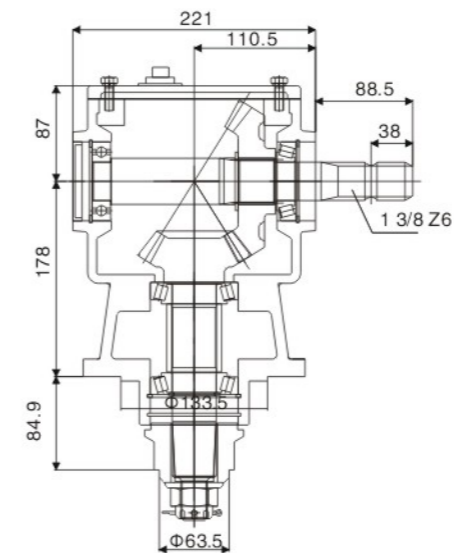


PRODUCT PARAMETERS

ITEM	HC-RC31
Ratio	1:1.46/1:1.69 / 1:1.93 / 1:2.3
Teeth	22/15 / 22/13 / 29/15 / 28/12
Module	5.08/5.0 / 4.0 / 4.0
Power(HP)	30
Rated Input	540 rpm
Input/Output Description	3/8 Z6/ Optic axis /Taper spline
Weight(N.W)	21.5Kg



HC-RC31

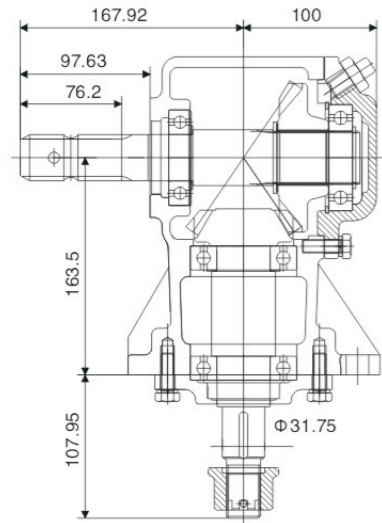


PRODUCT PARAMETERS

ITEM	HC-55
Ratio	1:1.6
Teeth	15/24
Module	6.0
Power(HP)	50
Rated Input	540 rpm
Input/Output Description	1 3/8 Z6 Cone base aequilate spline shaft
Weight(N.W)	28.7Kg



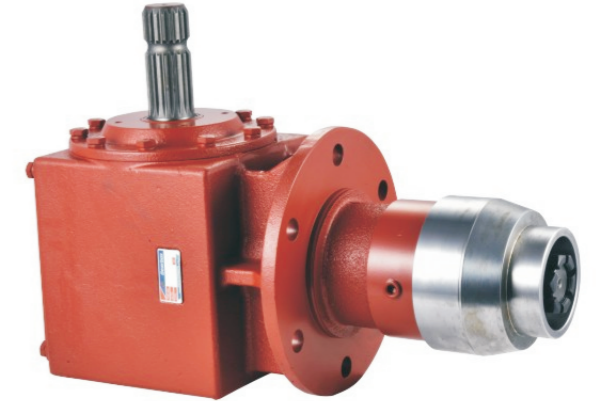
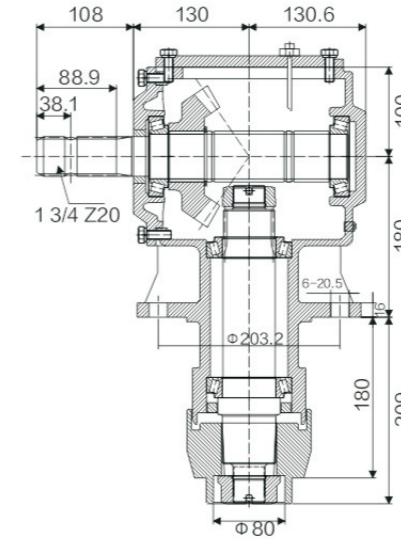
HC-55



HC-RC30-193

PRODUCT PARAMETERS

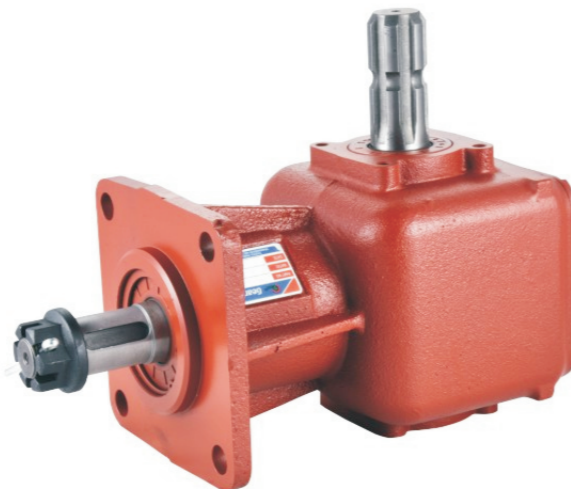
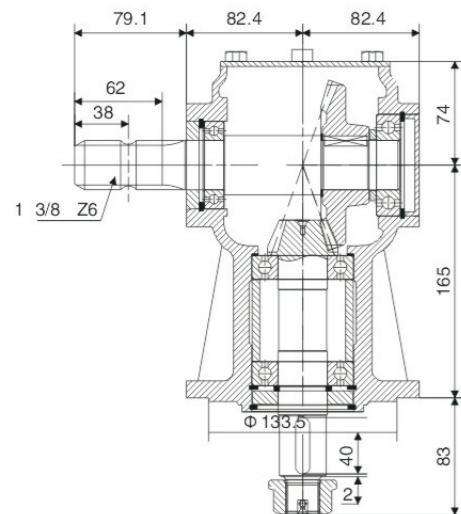
ITEM	HC-RC30-193
Ratio	1:1.93
Teeth	15/29
Module	4.0
Power(HP)	30
Rated Input	540 rpm
Input/Output Description	1 3/8 Z6 Φ31.75 Optic axis
Weight(N.W)	24.5Kg



HC-RC130-146

PRODUCT PARAMETERS

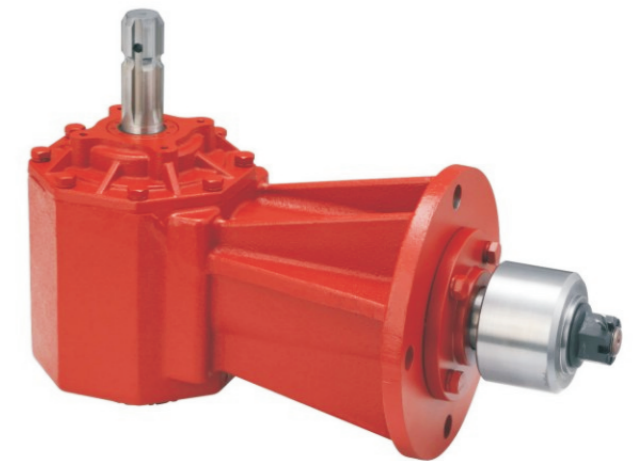
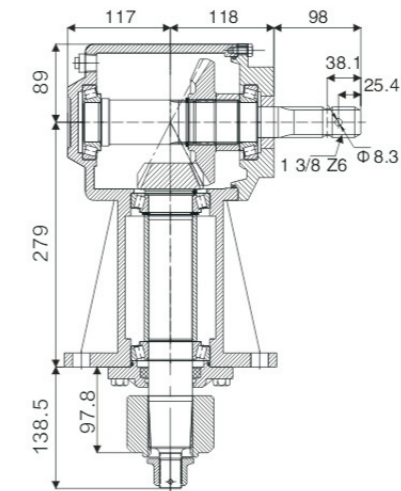
ITEM	HC-RC130-146 / HC-RC130-192
Ratio	1:1.46 / 1:1.92
Teeth	19/13 / 27/14
Module	6 / 8
Power(HP)	130 / 100
Rated Input	540 rpm
Input/Output Description	1 3/4 Z20 / Taper spline
Weight(N.W)	56 Kg



HC-LF211

PRODUCT PARAMETERS

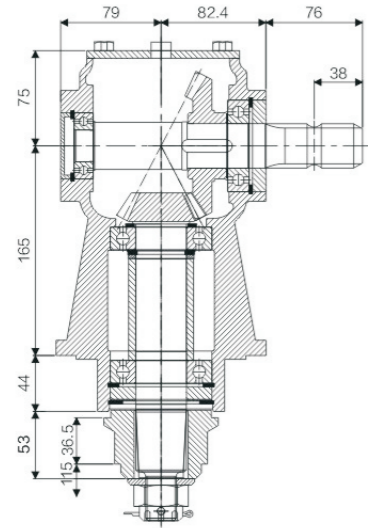
ITEM	HC-LF211
Ratio	1:2.83
Teeth	34/12
Module	3.36
Power(HP)	20
Rated Input	540 rpm
Input/Output Description	1 3/8 Z6 Optic axis
Weight(N.W)	14.5Kg



HC-RC81

PRODUCT PARAMETERS

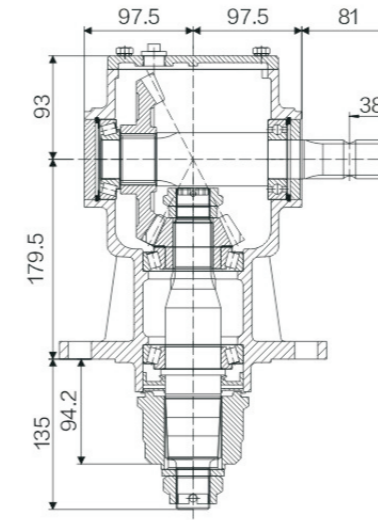
ITEM	HC-RC81
Ratio	1:1.93 / 1:146
Teeth	27/14 / 19/13
Module	5.5 / 7.0
Power(HP)	80
Rated Input	600rpm
Input/Output Description	1 3/8 Z6 Taper spline
Weight(N.W)	28.7Kg



HC-LF205

PRODUCT PARAMETERS

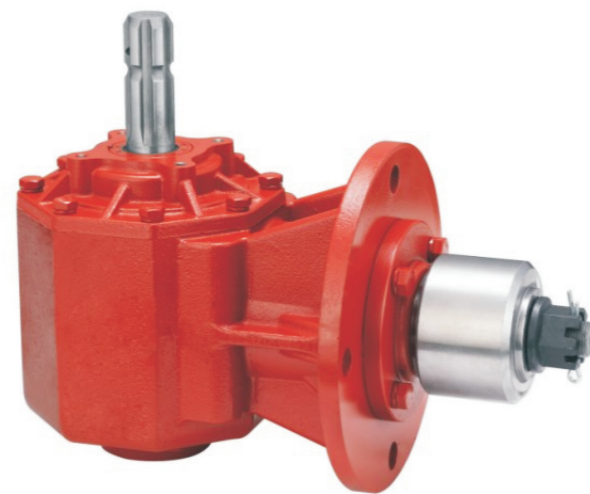
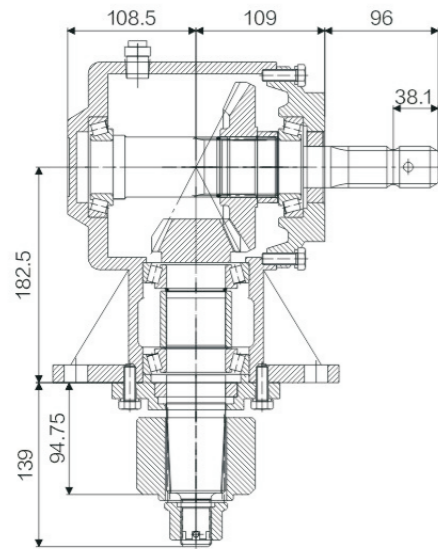
ITEM	HC-LF205
Ratio	1:1.46 / 1:1.93
Teeth	22/15 / 23/12
Module	5.0 / 5.0
Power(HP)	30
Rated Input	540 rpm
Input/Output Description	1 3/8 Z6/Optic axis Taper spline
Weight(N.W)	19Kg



HC-140

PRODUCT PARAMETERS

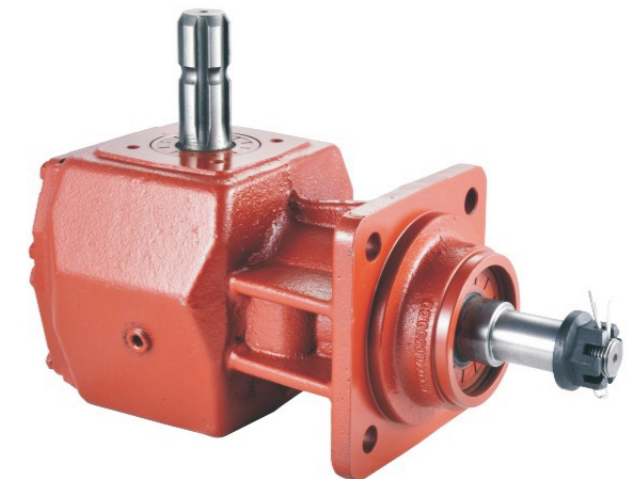
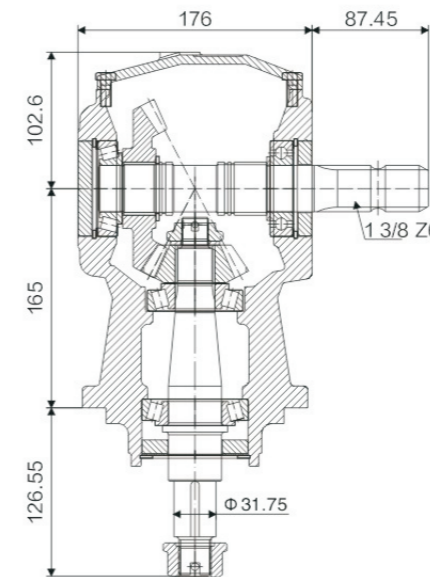
ITEM	HC-140
Ratio	1:1.5 / 1:1.93
Teeth	21/14 / 27/14
Module	5.7 / 5.64
Power(HP)	60
Rated Input	540 rpm
Input/Output Description	1 3/8 Z6 Taper spline
Weight(N.W)	30Kg



HC-RC61

PRODUCT PARAMETERS

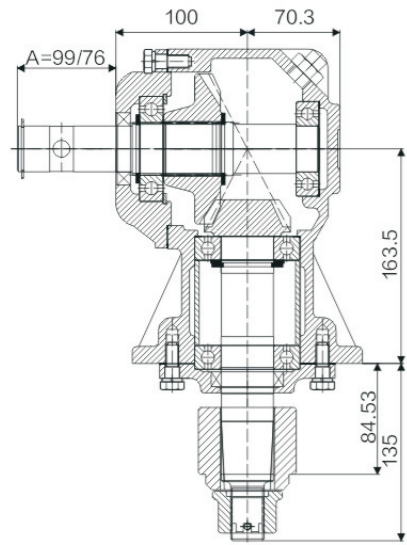
ITEM	HC-RC61
Ratio	1:1.46 / 1:1.93
Teeth	19/13 / 27/14
Module	7.0 / 5.5
Power(HP)	60
Rated Input	540 rpm
Input/Output Description	1 3/8 Z6 Taper spline
Weight(N.W)	36.5Kg



HC-01-790

PRODUCT PARAMETERS

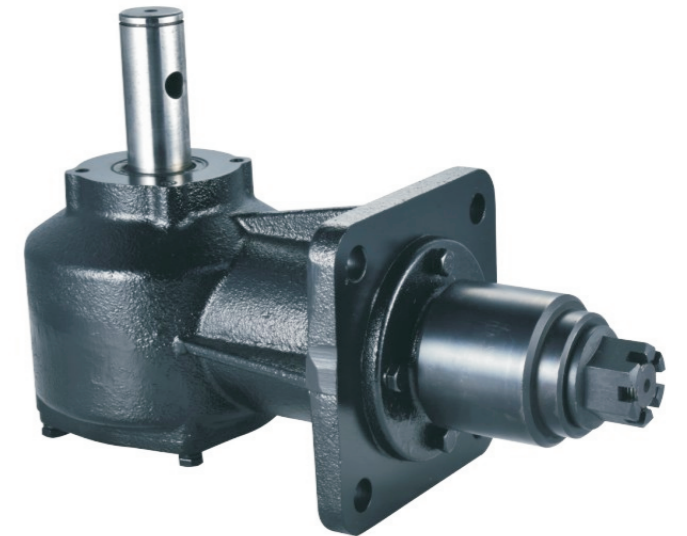
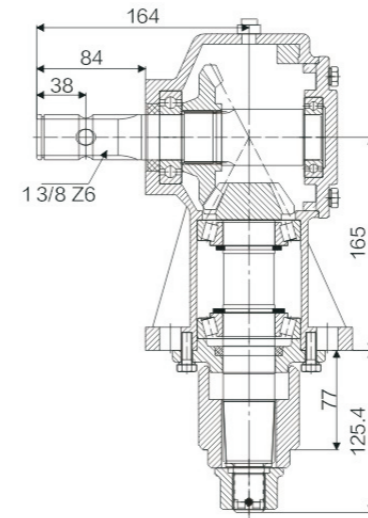
ITEM	HC-01-790 / HC-01-793
Ratio	1:1.92 / 1:2.5
Teeth	25/13 / 30/12
Module	5.25 / 3.9
Power(HP)	40 / 30
Rated Input	540 rpm
Input/Output Description	1 3/8 Z6 / Keyway
Weight(N.W)	22 Kg



HC-RC31

PRODUCT PARAMETERS

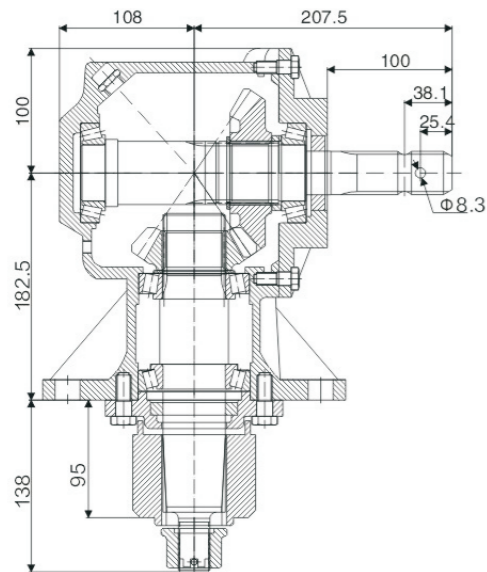
ITEM	HC-RC31
Ratio	1:1.46 / 1:1.69 / 1:1.93 / 1:2.3
Teeth	22/15 / 22/13 / 29/15 / 28/12
Module	5.08 / 5.0 / 4.0 / 4.0
Power(HP)	30
Rated Input	540 rpm
Input/Output Description	3/8 Z6/Optic axis aper spline
Weight(N.W)	21.5Kg



HC-GS4RC

PRODUCT PARAMETERS

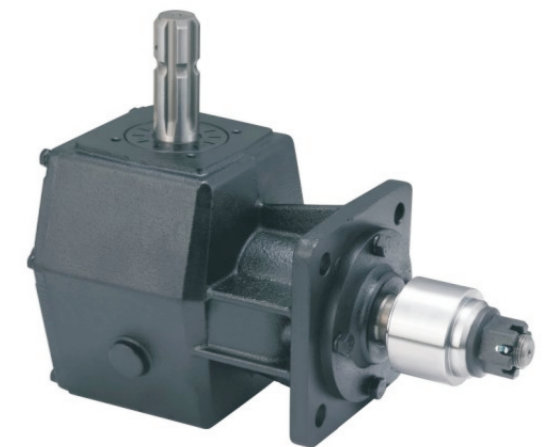
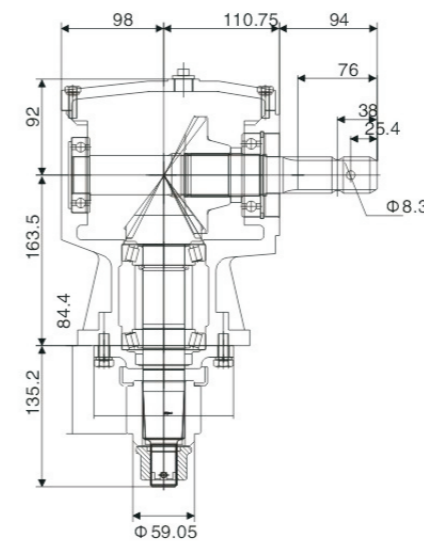
ITEM	HC-GS4RC
Ratio	1:1.46 / 1:1.93
Teeth	22/15 / 23/12
Module	5.08 / 5.0
Power(HP)	30
Rated Input	540 rpm
Input/Output Description	13/8 Z6 Taper spline
Weight(N.W)	19Kg



HC-966109

PRODUCT PARAMETERS

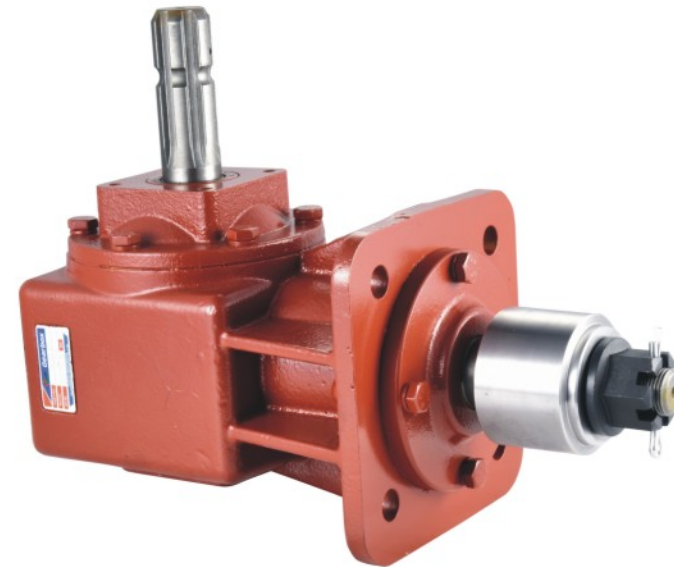
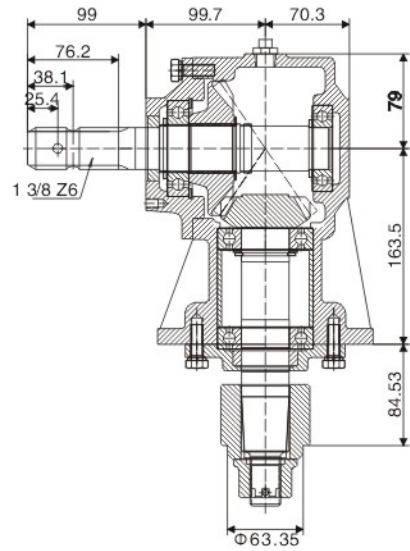
ITEM	HC-966109
Ratio	1:1.46 / 1:1.93
Teeth	13/19 / 14/27
Module	7.0 / 5.5
Power(HP)	60
Rated Input	540 rpm
Input/Output Description	1 3/8 Z6/1 3/4 Z20 Optic ax1 STaper spline
Weight(N.W)	29Kg



HC-X30

PRODUCT PARAMETERS

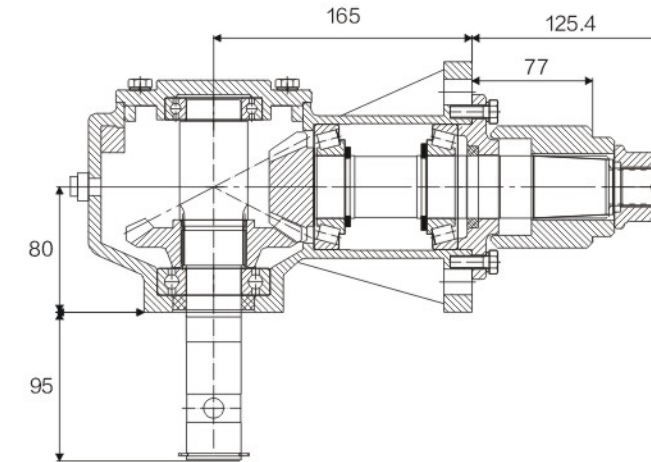
ITEM	HC-01-609	HC-01-723	HC-01-611
Ratio	1:1.47	1:1.69	1:1.93
Teeth	15/22	13/22	15/29
Module	5.08	5.0	4.0
Power(HP)	35	35	30
Rated Input	540 rpm	540 rpm	540 rpm
Input/Output Description	1 3/8 Z6 Optic axis Cone base aequilate spline shaft		
Weight(N.W)	26.5Kg		



HC-RC33

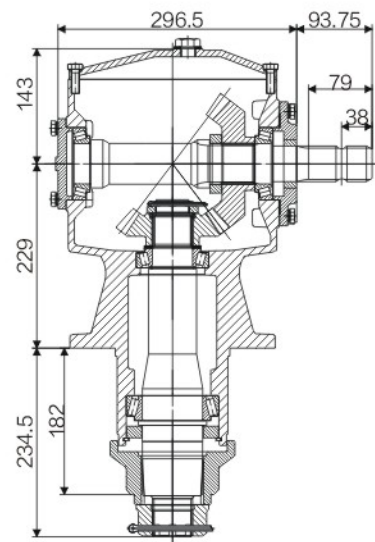
PRODUCT PARAMETERS

ITEM	HC-RC33
Ratio	1:93 / 1:1.69 / 1:1.47
Teeth	15/29 / 13/22 / 15/22 .
Module	4.0 / 5.0 / 5.08
Power(HP)	30 / 30 / 30
Rated Input	540 rpm
Input/Output Description	1 3/8 Z6 /Optic axis
Weight(N.W)	26 Kg



HC-01-707

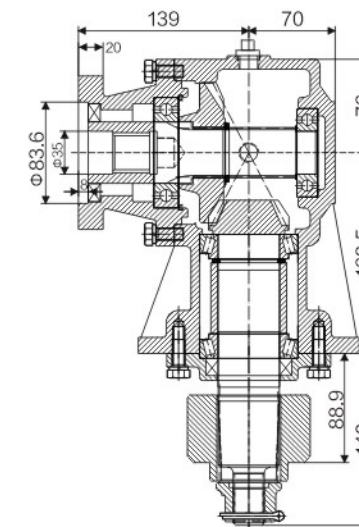
ITEM	HC-01-707
Ratio	1:1.44
Teeth	23/16
Module	6
Power(HP)	60
Rated Input	540 rpm
Input/Output Description	1 3/4 Z20 / Taper spline
Weight(N.W)	37 Kg



HC-01-768

PRODUCT PARAMETERS

ITEM	HC-01-768 / HC-01-770
Ratio	1:1.93 / 1:1
Teeth	23/12 / 22/22
Module	8 / 8
Power(HP)	150 / 150
Rated Input	540 rpm
Input/Output Description	1 3/4 Z20 / Taper spline
Weight(N.W)	73 Kg



HC-RC51

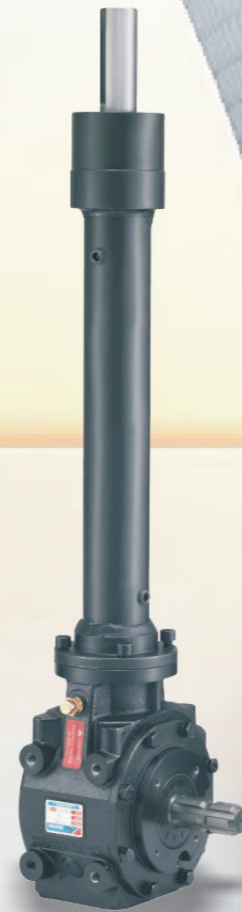
PRODUCT PARAMETERS

ITEM	HC-RC51
Ratio	1:1.47 / 1:1.93
Teeth	22/15 / 29/15
Module	5.08 / 4.0
Power(HP)	30
Rated Input	540 rpm
Input/Output Description	Spline /Taper spline
Weight(N.W)	29Kg

Rotary

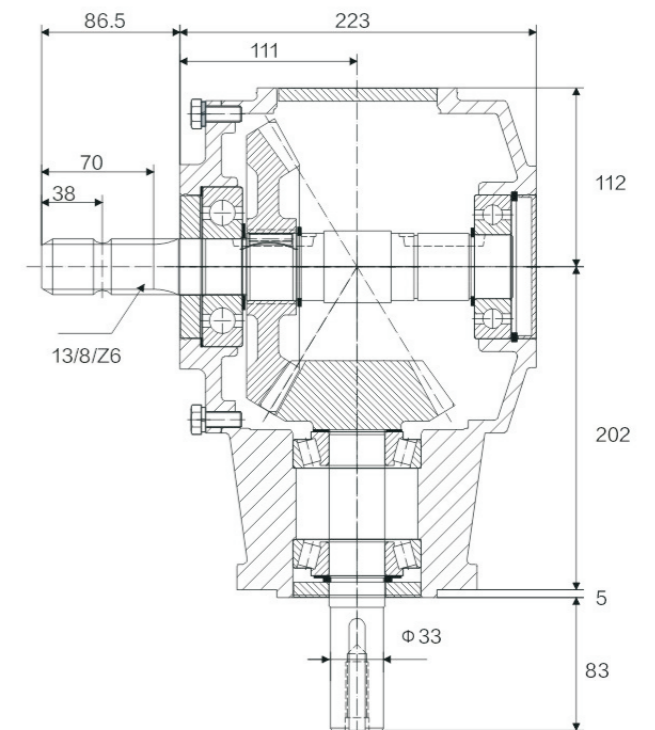
Cultivator Series

HC-75



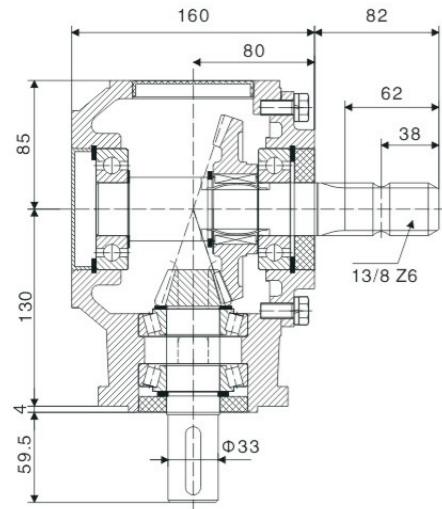
GEARBOX

Rotary cultivator series



PRODUCT PARAMETERS

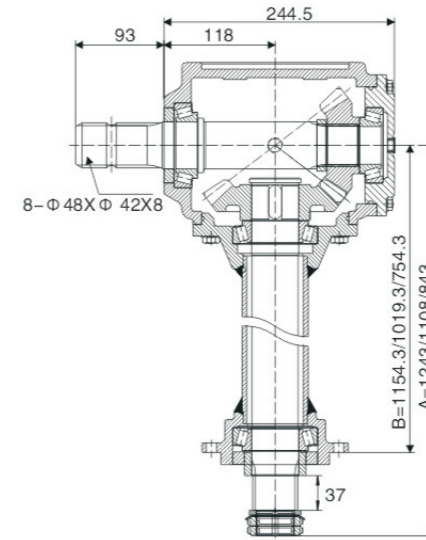
ITEM	HC-75
Ratio	1:3 / 1:2.83 / 1:1.65 / 1:1.6
Teeth	12/36/ 34/12 / 33/20 / 24/15
Module	6.0/ 5.35 / 5.5 / 7.5
Power(HP)	75/75/100/125
Rated Input	540 rpm
Input/Output Description	3/8 Z6 / Optic axis
Weight(N.W)	37Kg



HC-9.310

PRODUCT PARAMETERS

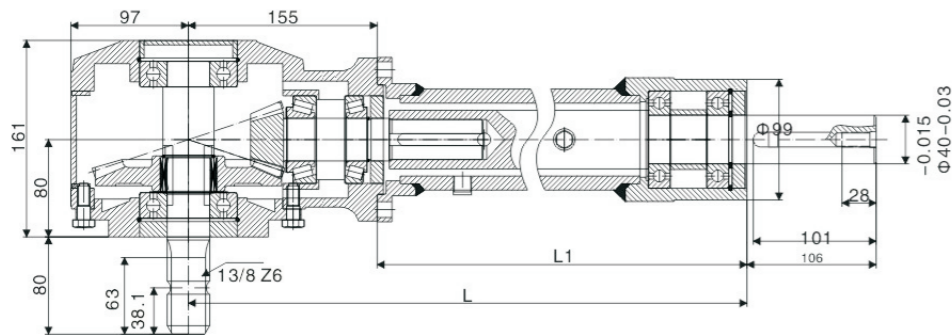
ITEM	HC-9.310
Ratio	1:3
Teeth	12/36
Module	3.45
Power(HP)	30
Rated Input	540rpm
Input/Output Description	13/8 Z6 / Optic axis
Weight(N.W)	18Kg



HC20100.131.00

PRODUCT PARAMETERS

ITEM	HC20100.131.00
Ratio	1.31:1
Teeth	16/21
Module	7.0
Power(HP)	100
Rated Input	600rpm
Input/Output Description	8-φ 48X φ 42X8.
Weight(N.W)	58Kg

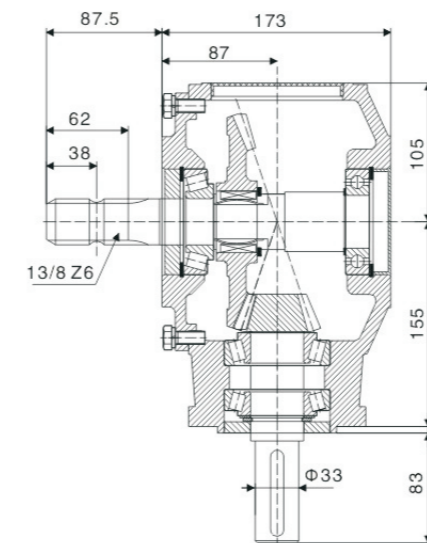


HC-9.311-JCG

PRODUCT PARAMETERS

ITEM	HC-9.311-JCG
Ratio	1:3
Teeth	36/12
Module	4.35
Power(HP)	50
Rated Input	540rpm
Input/Output Description	13/8 Z6/ Optic axis /Optic axis
Weight(N.W)	21Kg

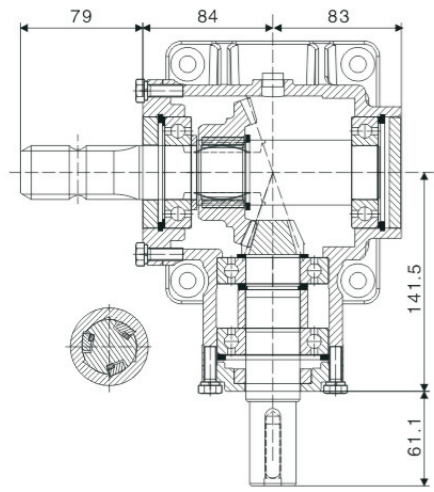
length	SERIES													
	-1	-2	-3	-4	-5	-6	-7	-8	-9	-10	-11	-12	-13	-14
L	375	500	615	670	700	780	810	950	1060	1140	1200	1250	1350	1500
L1	220	345	460	515	545	625	655	795	905	985	1045	1095	1195	1345



HC-9.312

PRODUCT PARAMETERS

ITEM	HC-9.312
Ratio	1:3
Teeth	12/364.58
Module	4.58
Power(HP)	62
Rated Input	540rpm
Input/Output Description	13/8 Z6 / Optic axis
Weight(N.W)	27Kg

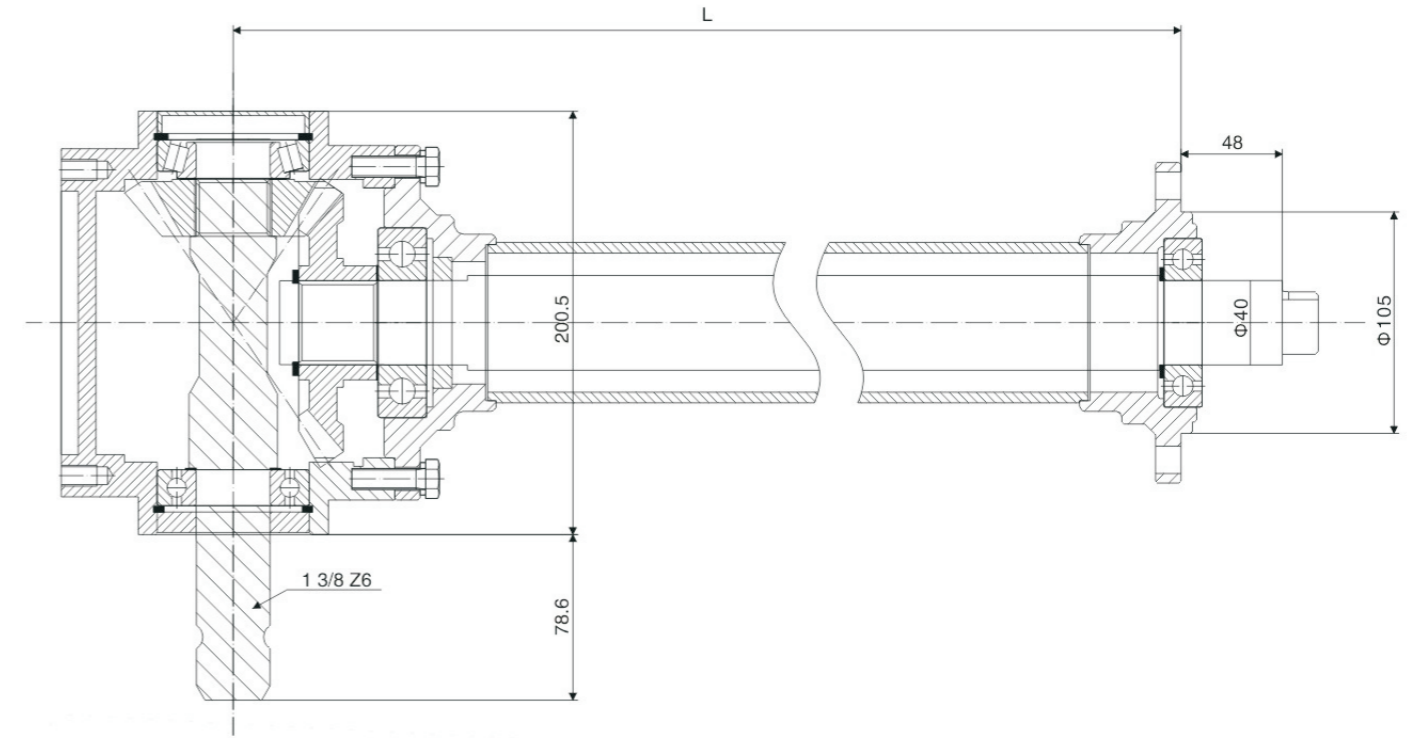


PRODUCT PARAMETERS

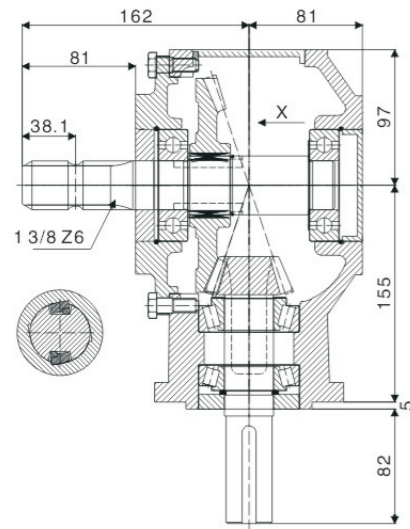
ITEM	HC30
Ratio	1:2.9
Teeth	32/11
Module	3.0
Power(HP)	30
Rated Input	540 rpm
Input/Output Description	1 3/8 Z6 Optic axis
Weight(N.W)	13.5Kg



HC30



HC-RTM130



PRODUCT PARAMETERS

ITEM	HC-9.311
Ratio	1:3
Teeth	36/12
Module	4.35
Power(HP)	50
Rated Input	540 rpm
Input/Output Description	1 3/8 Z6 Optic axis /Optic axis
Weight(N.W)	21Kg



HC-9.311

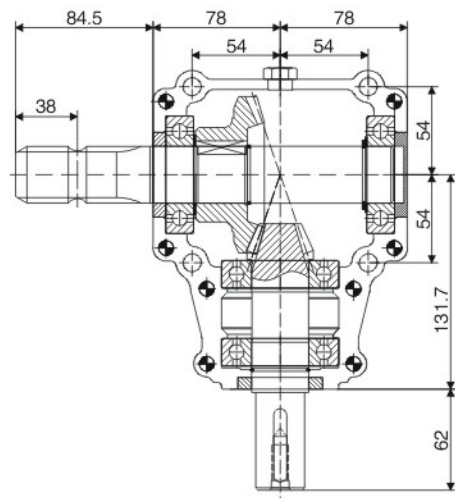
型号	RTM (DR) 105	RTM (DR) 120	RTM (DR) 130	RTM (DR) 135	RTM (DR) 150	RTM (DR)165	
长度L	524	599	649	674	749	824	
传动比 i	输入转速 r.p. m	输入功率		Z1	Z2	M	重量 kg
		HP	Kw				
1:1.46	540	45	33	15	22	6.0	31

GEARBOX

Aluminum box series



HC-RV022 (X)

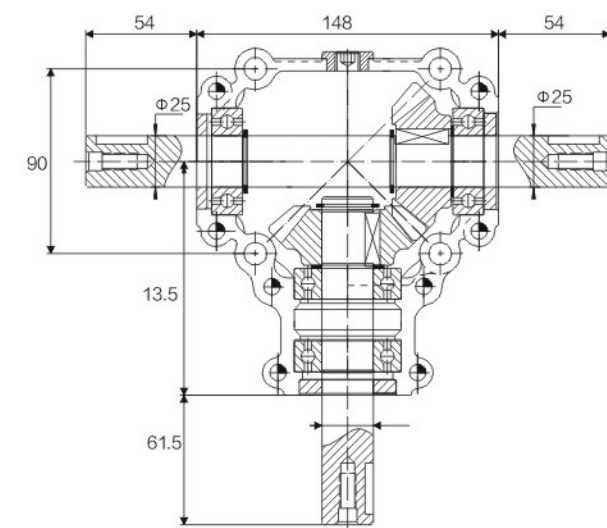


PRODUCT PARAMETERS

ITEM	HC-RV022 (X)
Ratio	1:1 / 1.46:1 / 1:2.91
Teeth	19/19 / 19/13 / 32/11
Module	4.5 / 5.0 / 3.0
Power(HP)	15
Rated Input	540 rpm
Input/Output Description	1 3/8 Z6 Optic axis
Weight(N.W)	7Kg

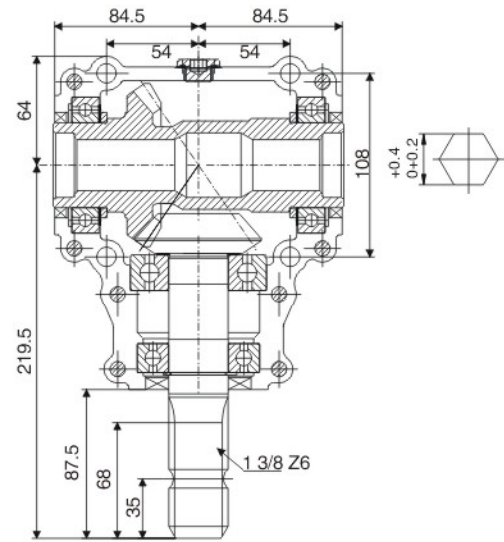


HC-RV010



PRODUCT PARAMETERS

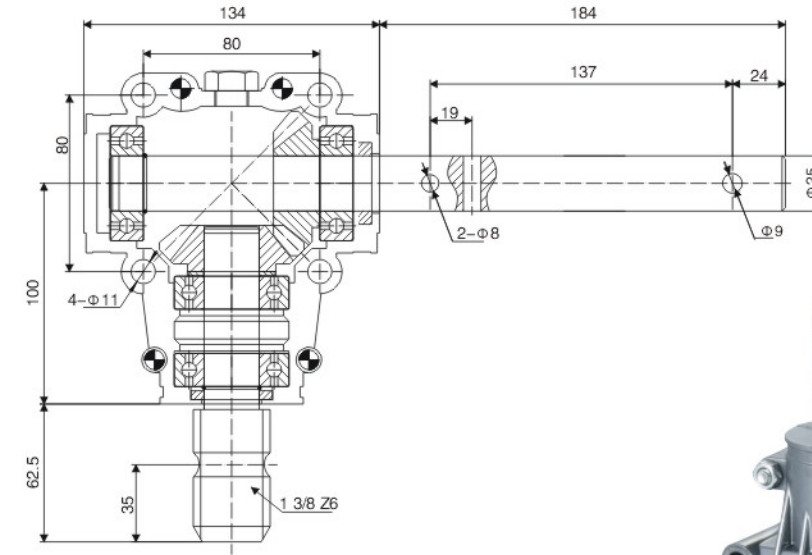
ITEM	HC-RV010
Ratio	1:1 / 1:1.35 / 1:1.9 / 3.3:1
Teeth	16/16 / 17/23 / 10/19 / 10/33
Module	4.5/3.5/4.5/2.5
Power(HP)	15/13/15/3
Rated Input	450rpm
Input/Output Description	1 3/8 Z6 / Optic axis
Weight(N.W)	4Kg



HC-01-674

PRODUCT PARAMETERS

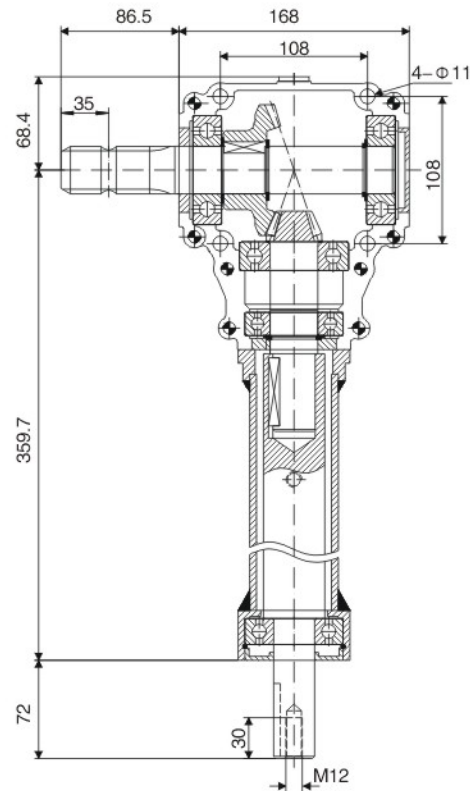
ITEM	HC-01-674
Ratio	1.46:1
Teeth	19/13
Module	5
Power(HP)	23
Rated Input	540 rpm
Input/Output Description	1 3/8 Z6
Weight(N.W)	7.2Kg



HC-RV012

PRODUCT PARAMETERS

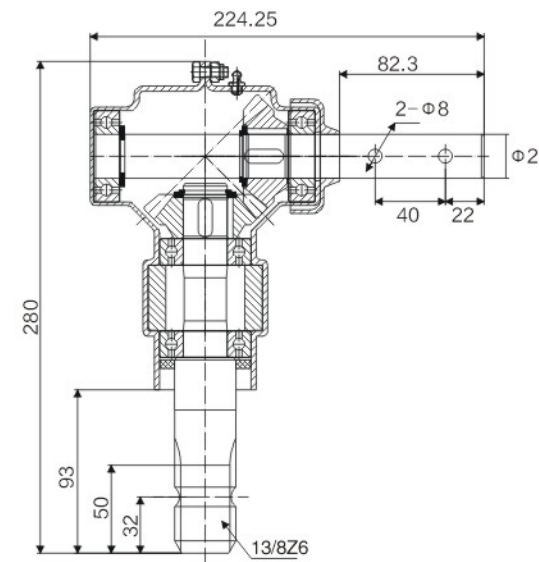
ITEM	HC-RV012
Ratio	1:1
Teeth	15/15
Module	4.5
Power(HP)	10
Rated Input	540 rpm
Input/Output Description	1 3/8 Z6
Weight(N.W)	4Kg



HCAM281-874

PRODUCT PARAMETERS

ITEM	HCAM281-874
Ratio	1:2.91
Teeth	32/11
Module	3.0
Power(HP)	13
Rated Input	540 rpm
Input/Output Description	1 3/8 Z6
Weight(N.W)	19 Kg



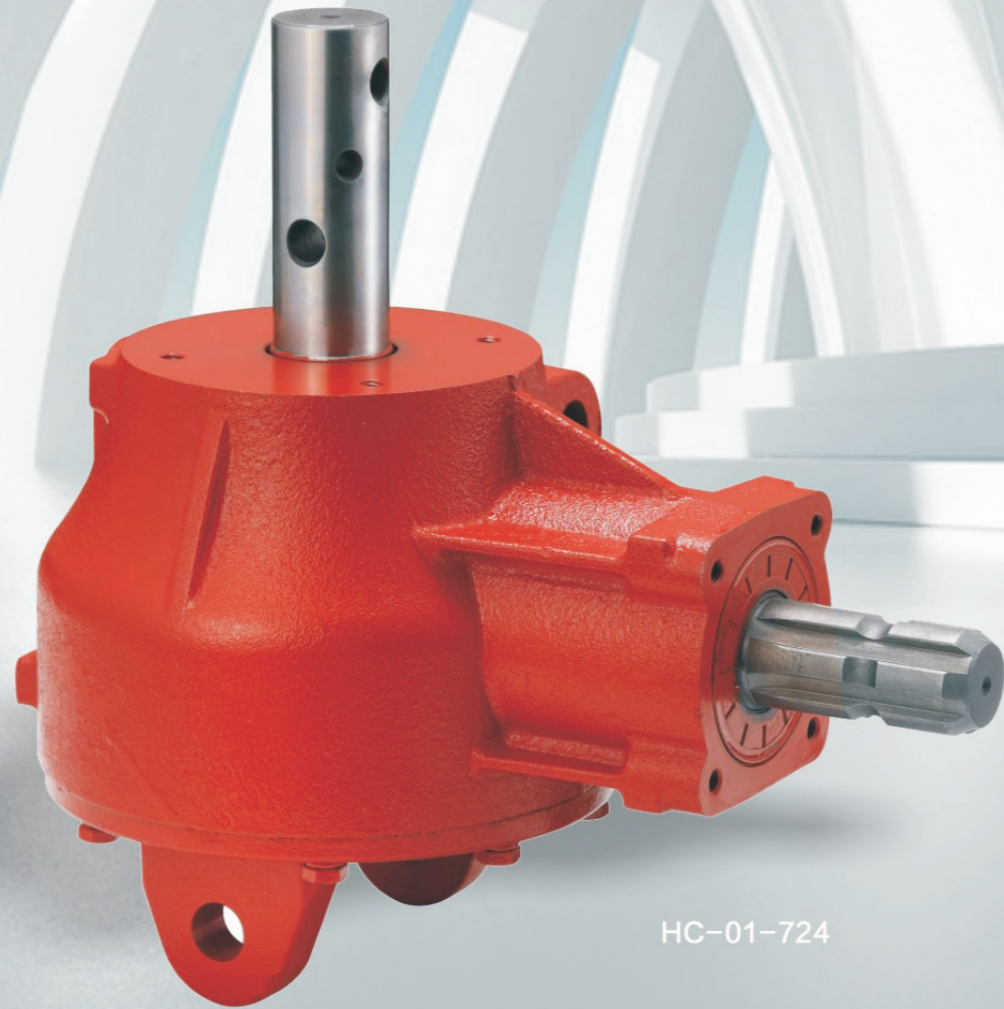
HC-01-229

PRODUCT PARAMETERS

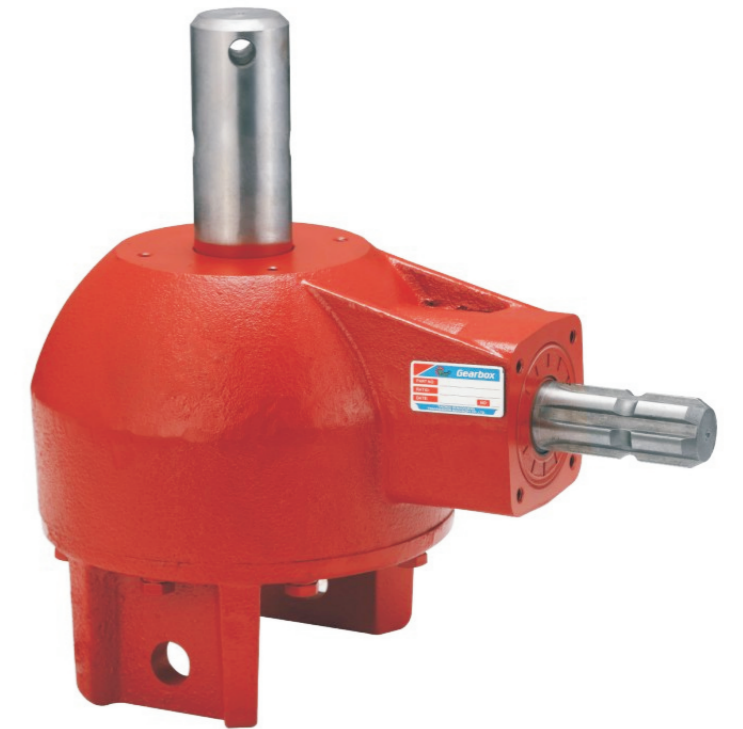
ITEM	HC-01-229
Ratio	1:1
Teeth	16/16
Module	4.5
Power(HP)	15
Rated Input	540 rpm
Input/Output Description	1 3/8 Z6 φ25 Optic axis
Weight(N.W)	13Kg

GEARBOX

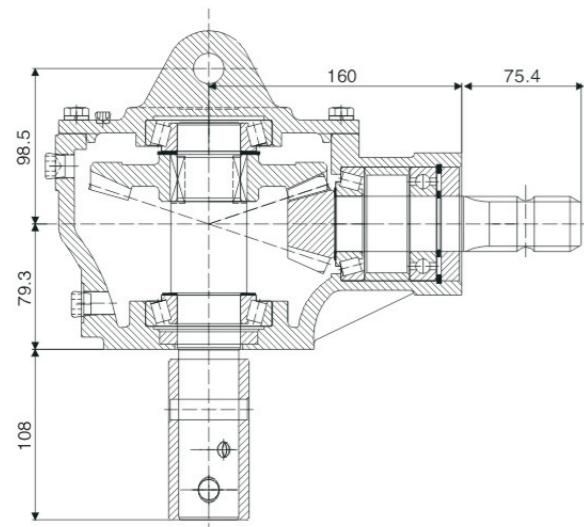
PIT DIGGER



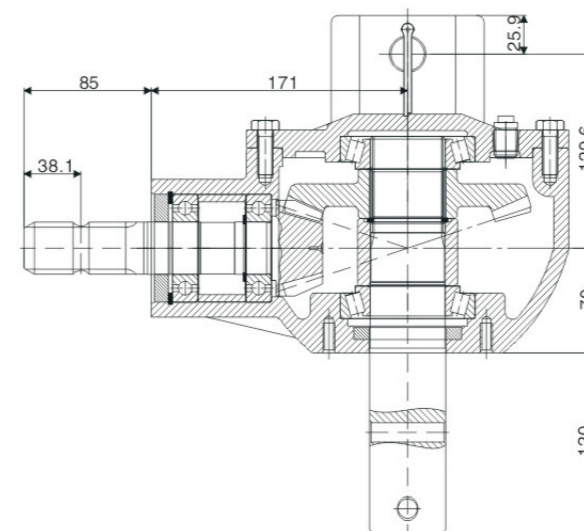
HC-01-724



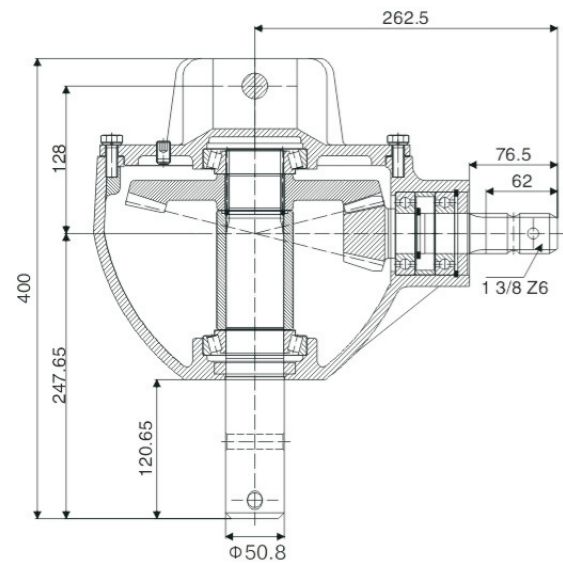
HC-GT40U



PRODUCT PARAMETERS	
ITEM	HC-01-724
Ratio	3:1
Teeth	10/30
Module	5.0
Power(HP)	30
Rated Input	540rpm
Input/Output Description	13/8 Z6 Optic axis
Weight(N.W)	19Kg



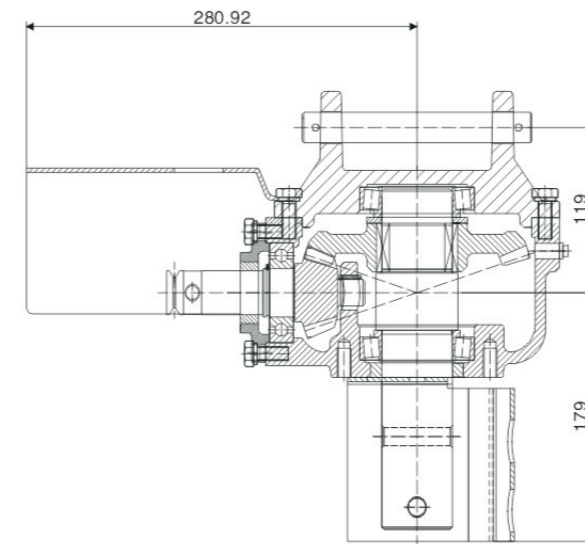
PRODUCT PARAMETERS	
ITEM	HC-GT40U
Ratio	3:1
Teeth	33/11
Module	5.0
Power(HP)	45
Rated Input	540 rpm
Input/Output Description	13/8 Z6 Optic axis
Weight(N.W)	28 Kg



ITEM	HC-01-084
Ratio	4:1
Teeth	11/44
Module	5.0
Power(HP)	50
Rated Input	540 rpm
Input/Output Description	1 3/8 Z6/Optic axis
Weight(N.W)	44 Kg

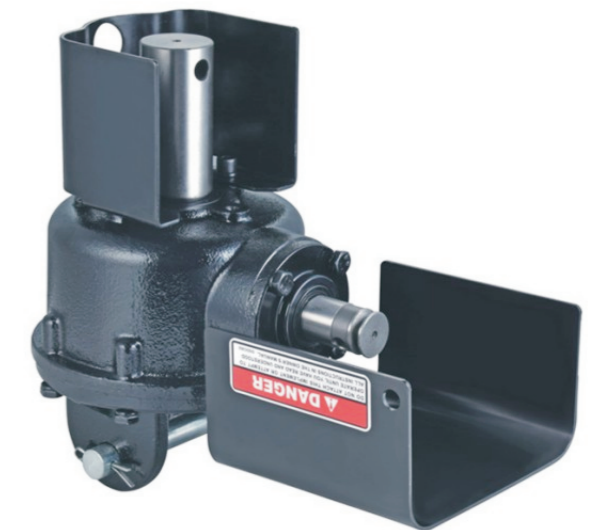


HC-01-084

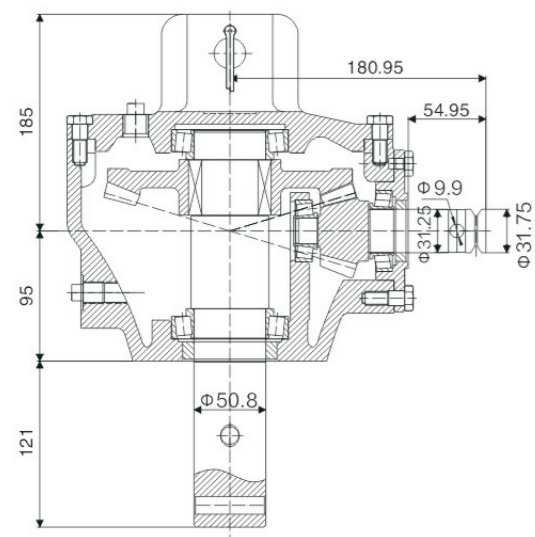


PRODUCT PARAMETERS

ITEM	HC-650PHD
Ratio	2.92:1
Teeth	13/38
Module	4.25
Power(HP)	30
Rated Input	540 rpm
Input/Output Description	Optic axis
Weight(N.W)	24.1 Kg



HC-650PHD

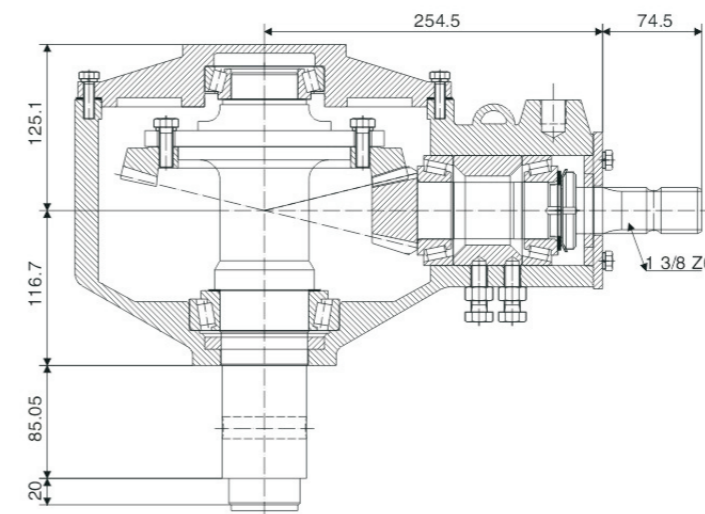


PRODUCT PARAMETERS

ITEM	HC-01-725
Ratio	3.18:1
Teeth	11/35
Module	5.08
Power(HP)	40
Rated Input	540 rpm
Input/Output Description	Optic ax1S
Weight(N.W)	28Kg

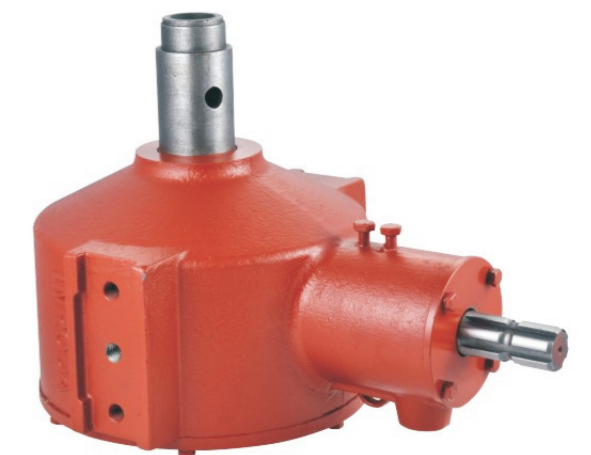


HC-01-725



PRODUCT PARAMETERS

ITEM	HC-2300058
Ratio	4.08:1
Teeth	12/49
Module	4.5
Power(HP)	50
Rated Input	540 rpm
Input/Output Description	1 3/8 Z6 / Optic axis
Weight(N.W)	59 Kg



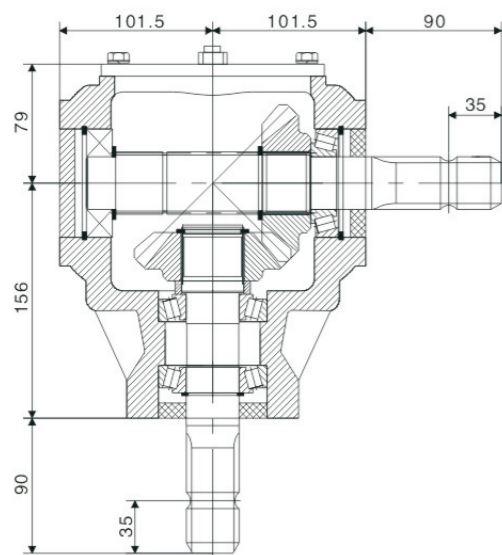
HC-2300058

GEARBOX

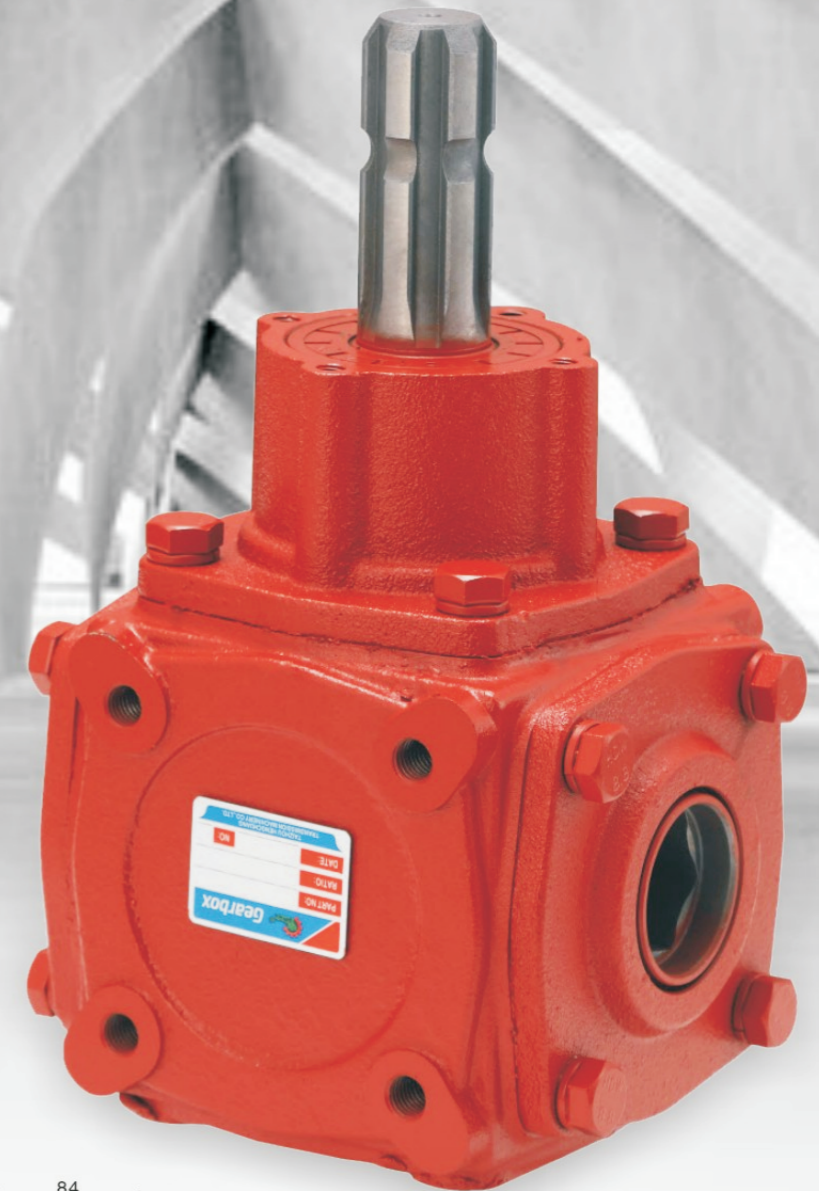
Lawn mower series



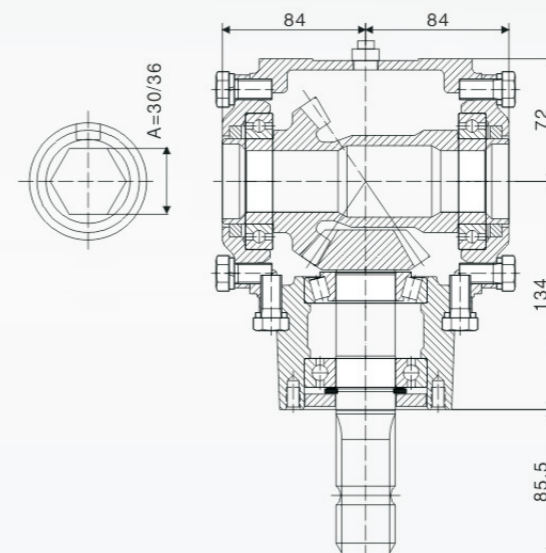
HC-BGB9



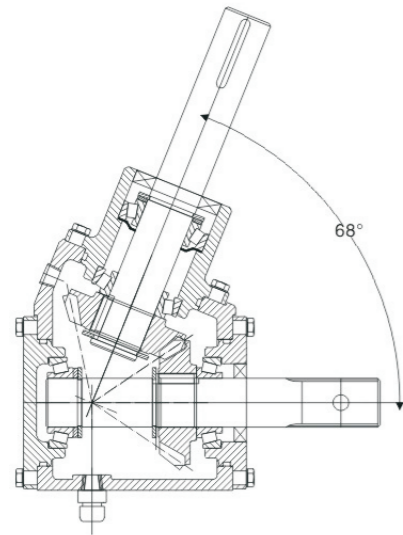
PRODUCT PARAMETERS	
ITEM	HC-BGB9
Ratio	1:1 / 1:1.35 / 1:1.46 / 1:2
Teeth	16/16 / 23/17 / 22/15 / 15/30
Module	6.35 / 5.0 / 5.0 / 3.5
Power(HP)	30
Rated Input	540 rpm
Input/Output Description	1 3/8 Z6 / 13/8Z6 Opticaxis
Weight(N.W)	23 Kg



HC-9.259



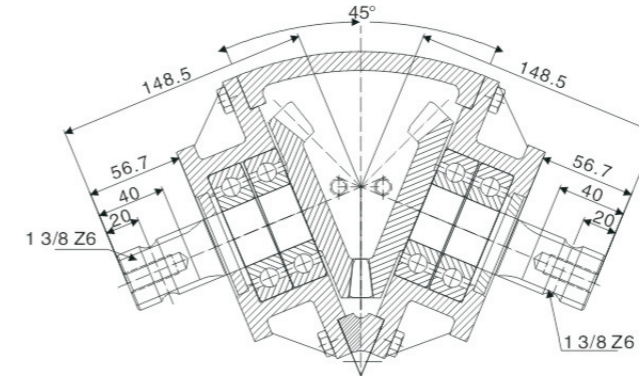
PRODUCT PARAMETERS	
ITEM	HC-9.259
Ratio	1.46:1
Teeth	19/13
Module	5.0
Power(HP)	30
Rated Input	540 rpm
Input/Output Description	1 3/8 Z6 Opticaxis
Weight(N.W)	14 Kg



HC-68°

PRODUCT PARAMETERS

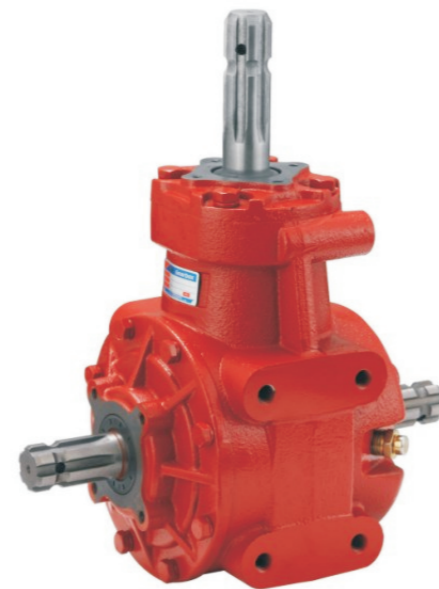
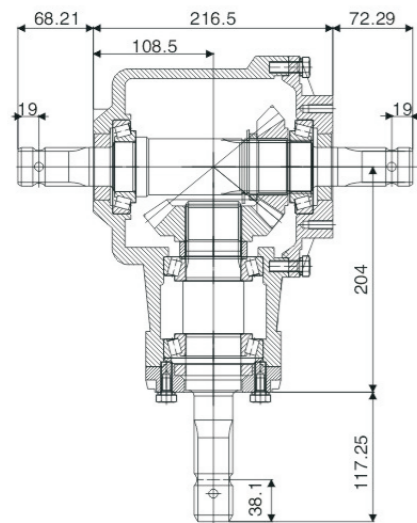
ITEM	HC-68°
Ratio	1:1
Teeth	19/19
Module	4.23
Power(HP)	30
Rated Input	540 rpm
Input/Output Description	0 ptic axis/ Spline .
Weight(N.W)	13.2 Kg



HC-AG135

PRODUCT PARAMETERS

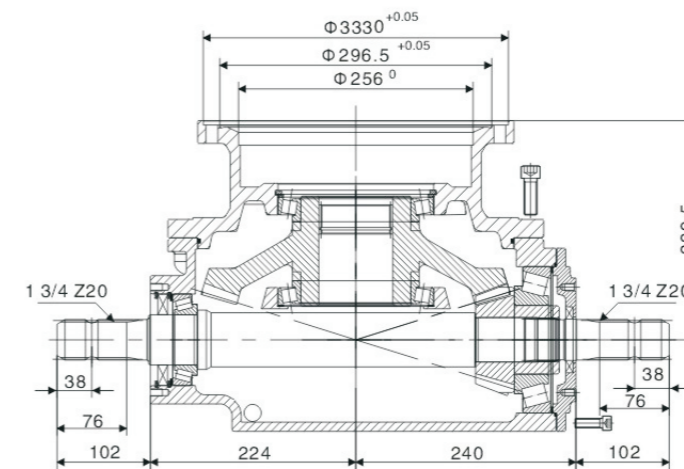
ITEM	HC-AG135
Ratio	1:1
Teeth	20/20
Module	6.0
Power(HP)	50
Rated Input	540 rpm
Input/Output Description	1 3/8 Z6 Cone base aequilate spline shaft
Weight(N.W)	16.5Kg



HC-RC61T

PRODUCT PARAMETERS

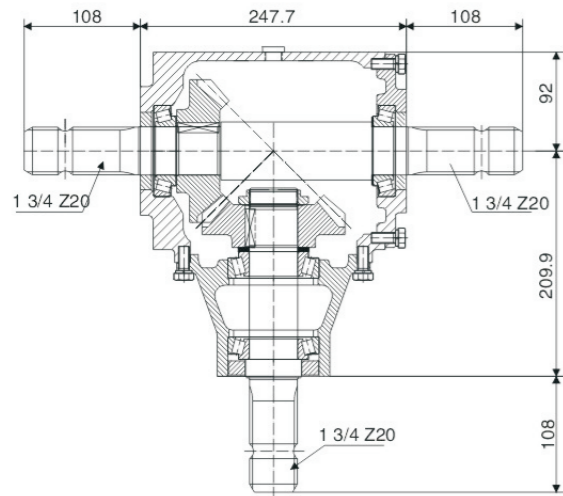
ITEM	HC-RC61T
Ratio	1:1 / 1:1.21 / 1:1.46 / 1:1.93
Teeth	16/16 / 17/14 / 19/13 / 27/14
Module	7.0 / 7.0 / 7.0 / 5.5
Power(HP)	60
Rated Input	540rpm
Input/Output Description	1 3/8Z6 / 1 3/8 Z6
Weight(N.W)	33.5 Kg



HC-40002

PRODUCT PARAMETERS

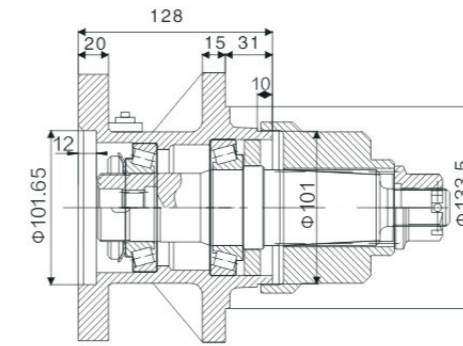
ITEM	HC-40002
Ratio	3.2:1 / 3.77:1 / 4.17:1
Teeth	15/48 / 13/49 / 12/50
Module	15/48 / 13/49 / 12/50
Power(HP)	85/ 85/85
Rated Input	540 rpm
Input/Output Description	1 3/4 Z6
Weight(N.W)	111 Kg



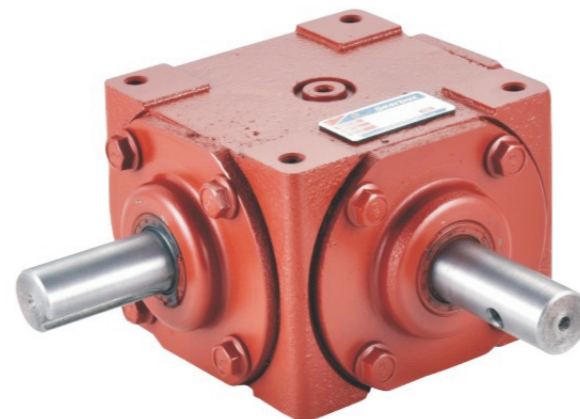
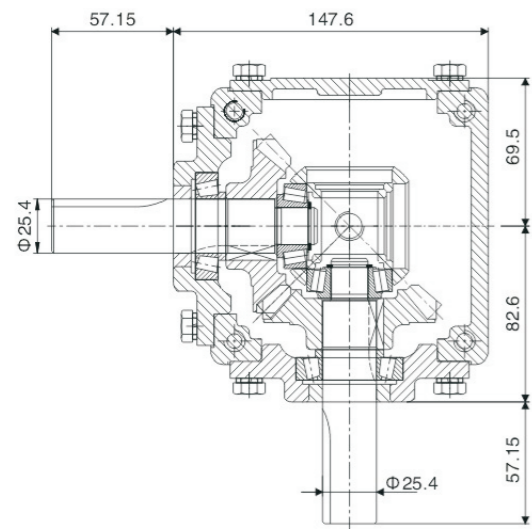
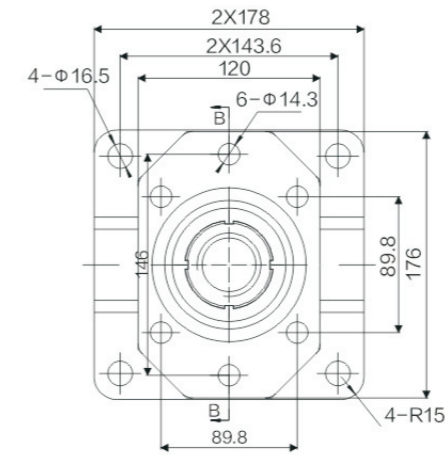
HC-9.279

PRODUCT PARAMETERS

ITEM	HC-9.279
Ratio	1:1.5 / 1:1
Teeth	27/18 / 22/22
Module	5.7 / 6
Power(HP)	100 / 120
Rated Input	540 rpm
Input/Output Description	1 3/4 Z20
Weight(N.W)	38Kg



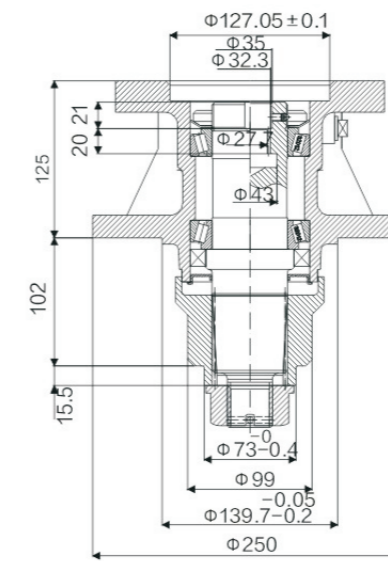
HC-MDH-40



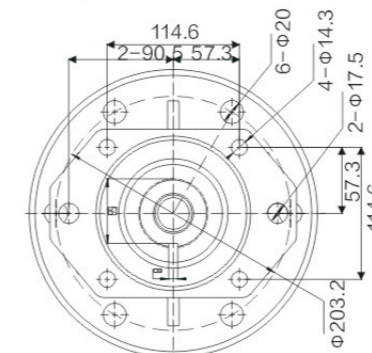
HC-19455-KW

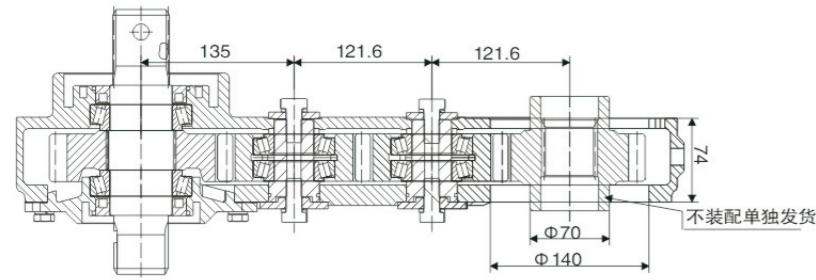
PRODUCT PARAMETERS

ITEM	HC-19455-KW
Ratio	1:1
Teeth	19/19
Module	4.23
Power(HP)	20
Rated Input	540 rpm
Input/Output Description	phi 25 Optical axis
Weight(N.W)	9 Kg



HC-MDH-65

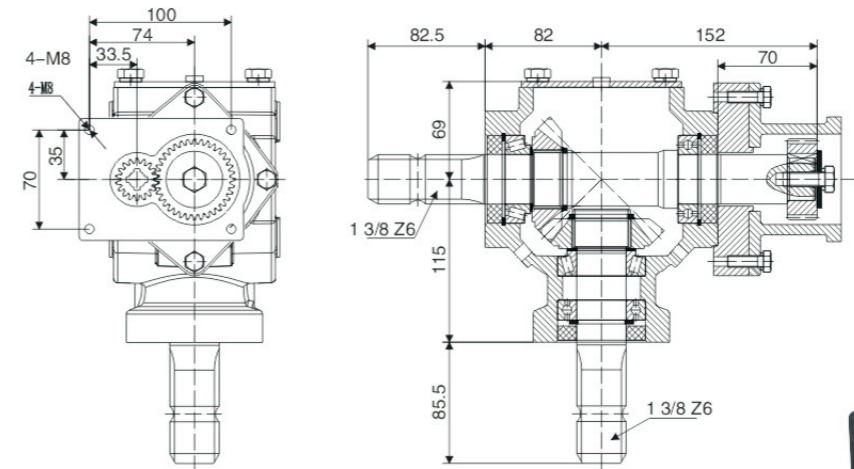




HC-1ZS-380

PRODUCT PARAMETERS

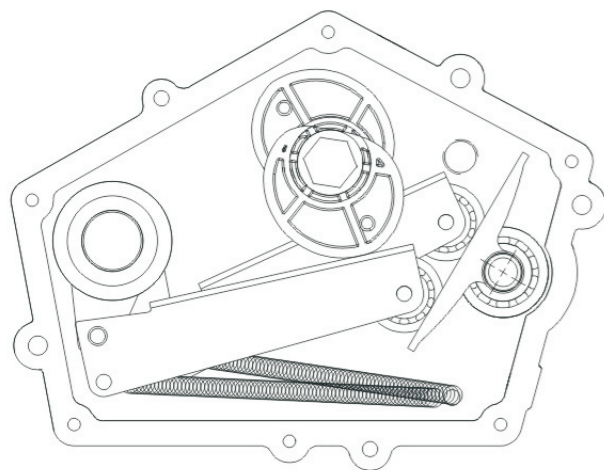
ITEM	HC-1ZS-380
Ratio	1:1.24
Teeth	21/17/17/17
Module	7.0
Power(HP)	100
Rated Input	540 rpm
Input/Output Description	Spline
Weight(N.W)	42.5 Kg



HC20. 100J. 01WW

PRODUCT PARAMETERS

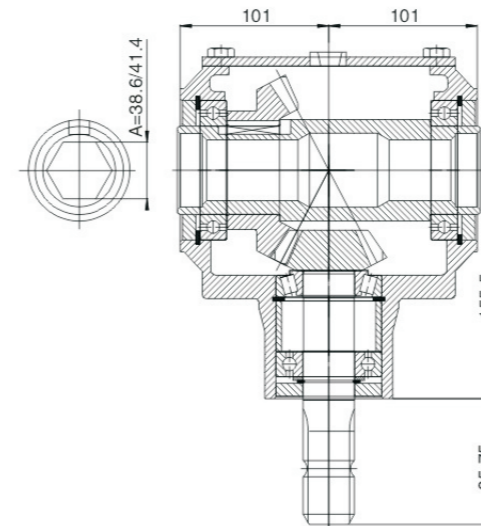
ITEM	HC20. 100J. 01WW
Ratio	1:1
Teeth	15/15
Module	5.4
Power(HP)	100 / 120
Rated Input	540 rpm
Input/Output Description	1 3/8 Z6
Weight(N.W)	16Kg



HC01-778

PRODUCT PARAMETERS

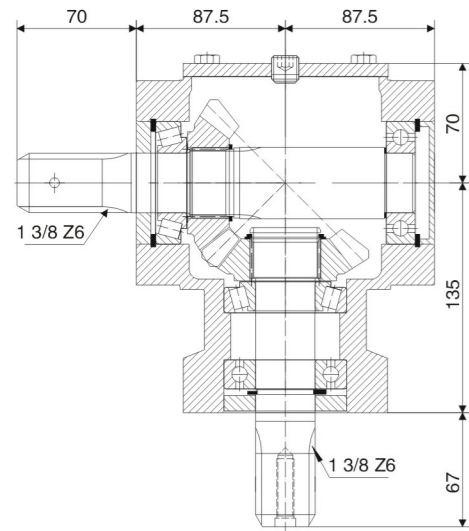
ITEM	HC-01-778
Ratio	0:1 / 3.35:1
Rated Input	540 rpm
Input/Output Description	φ 20
Weight(N.W)	11.5Kg



HC01-672

PRODUCT PARAMETERS

ITEM	HC01-672
Ratio	1.92:1 / 1.47:1
Teeth	23/12 / 22/15
Module	5.5 / 5.65
Power(HP)	50
Rated Input	540 rpm
Input/Output Description	1 3/8 Z6/Optic axis
Weight(N.W)	18.5 Kg

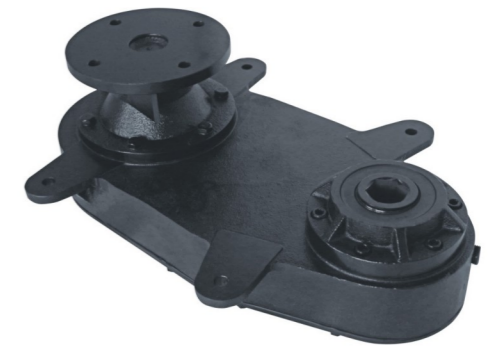
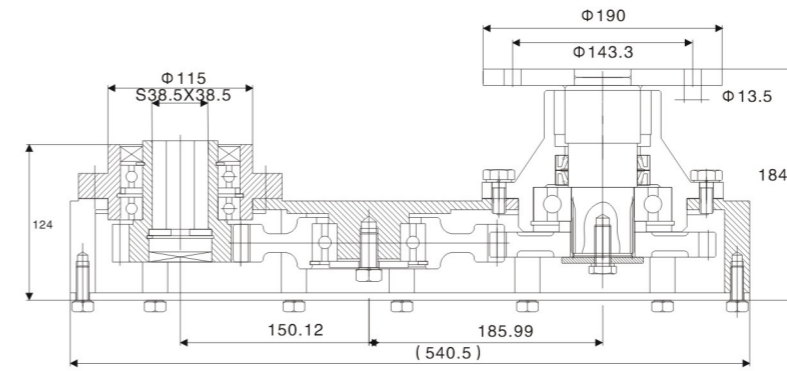


PRODUCT PARAMETERS

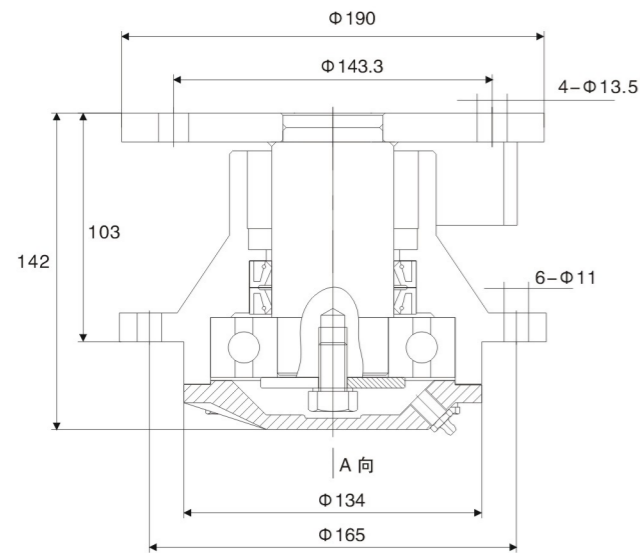
ITEM	HC-BGB8
Ratio	1:1 / 1.67:1
Teeth	22/15 / 15/25
Module	5.08 / 4.0
Power(HP)	30
Rated Input	540 rpm
Input/Output Description	1 3/8Z6 / 1 3/8 Z6
Weight(N.W)	18 Kg



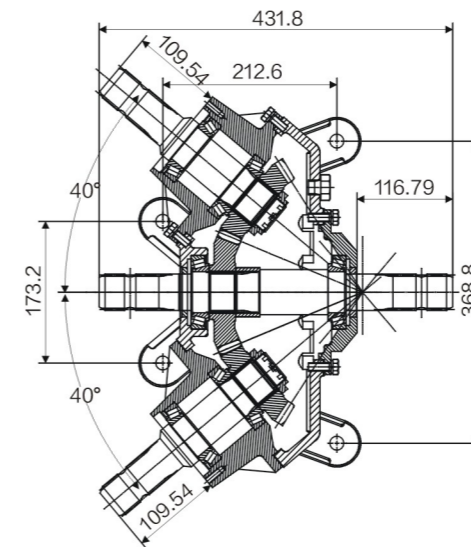
HC-BGB8



HC-RTS50



HC-RTD50



HC 01 661

PRODUCT PARAMETERS

ITEM	HC 01 661
Ratio	1:1.3
Teeth	26/20
Module	5.644
Power(HP)	80
Rated Input	540 rpm
Input/Output Description	1 3/4 Z20
Weight(N.W)	57.5Kg



HC 01 662

